

Flange Brace Clips

Technical Data Sheet

Description

Therm-All's Flange Brace Clip is used to maintain the consistency of the liner system's vapor retarder while minimizing the number of fabric cuts and penetrations contributing to the air/vapor barrier integrity and overall system appearance.

Features

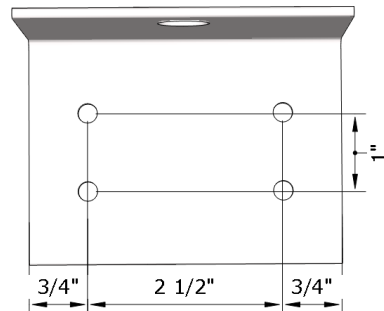
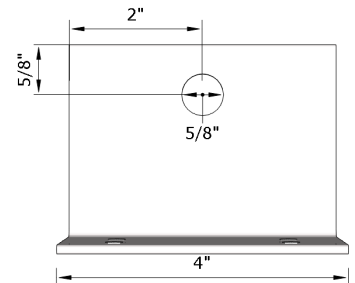
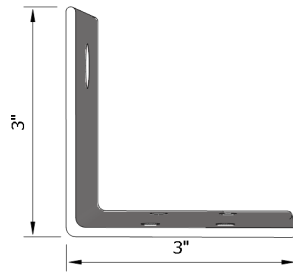
- 90° clips are 16-gauge steel powder coated white.
- Speeds system installation time by eliminating the need to cut and patch liner fabric when using standard bracing.
- IMPORTANT: Pre-engineered metal building manufacturers must be consulted and clip approved by building engineer's signature before use. Most manufacturers can provide their own preferred liner flush mount connection and required fasteners. These should be requested when ordering the building

Applications

- For use in connection of flange bracing to purlins and girts to speed installation and minimize penetrations to liner system's fabric ensuring its optimal performance.

Technical Data

| | |
|-----------------|---|
| Size: | 3" x 3" x 4" angle |
| Steel: | 16 gauge cold rolled commercial quality |
| Finish: | Powder Coat White |
| Fastener Holes: | 1/4" diameter (4) |
| Bolt-thru Hole: | 5/8" diameter (1) |



Disclaimer of Liability

Users should test each product for suitability for their specific purposes since Therm-All has no control over methods of application or conditions of use. THERM-ALL MAKES NO EXPRESS OR IMPLIED WARRANTIES OF ANY KIND INCLUDING MERCHANTABILITY except that products shall be of standard commercial grade to meet our specifications.